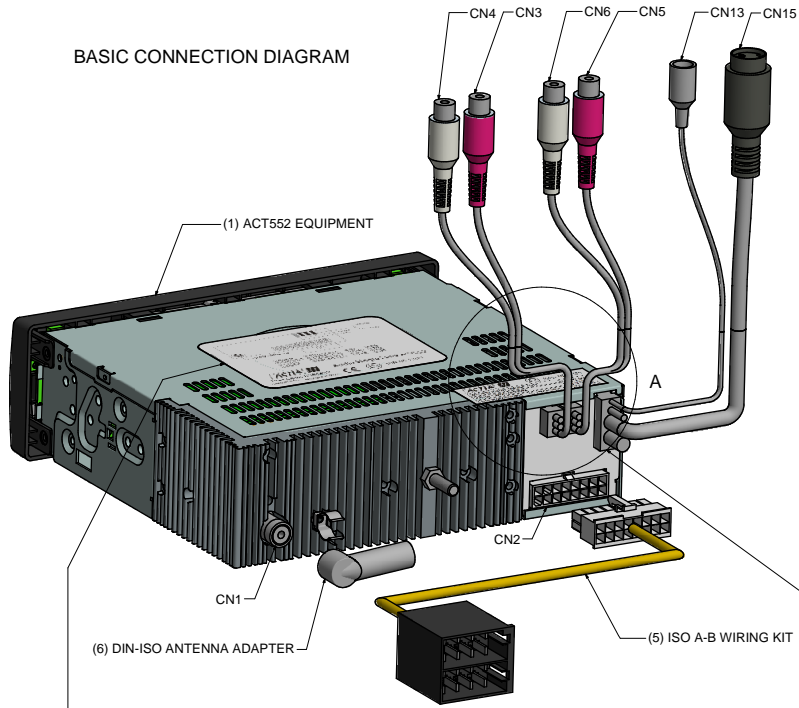


BASIC CONNECTION DIAGRAM



REAR CONNECTORS PINOUT						ELECTRICAL SPECIFICATIONS							
No.	NAME	TYPE	DRAWING	PIN No.	SIGNAL	SYMBOL	PARAMETER	CONDITIONS	MIN	TYPICAL	MAX	UNITS	
CN1	RADIO ANTENNA	DIN/ISO		1	RF-SIGNAL	-	-	-	11	24	30	V	
				2	RF-GND				-	-	10	A	
CN2	MAIN INTERFACE	CONEXCON 6746 - 2165		1	CAN H	-	-	-	-	-	-	-	-
				2	CAN R								
				3	CAN L								
				4	MUTE								
				5	FRONT SPEAKER R-								
				6	FRONT SPEAKER R+								
				7	FRONT SPEAKER L-								
				8	FRONT SPEAKER L+								
				9	BATTERY +								
				10	GND								
				11	ACC								
				12	ANTENNA POWER OUT								
				13	-								
				14	-								
				15	-								
				16	-								
CN3	AUDIO R IN	RCA RED/WHITE (FEMALE)		1	AUDIO-SIGNAL	-	-	-	-	-	-	-	
CN4	AUDIO L IN												
CN5	AUDIO R OUT												
CN6	AUDIO L OUT			2	AUDIO-GND				-	-	-	-	
CN13	DIMMING	FASTON CYLINDRICAL (FEMALE, Section 2.1mm)		1	24V INPUT				-	-	-	-	
CN15	MICROPHONE	DIN 5/180° (FEMALE)		1	MIC+	-	-	-	10	-	32	V	
				2	SHIELD-GND								
				3	MIC-								
				4	MIC-SWITCH-GND								
				5	MIC-SWITCH-SV								

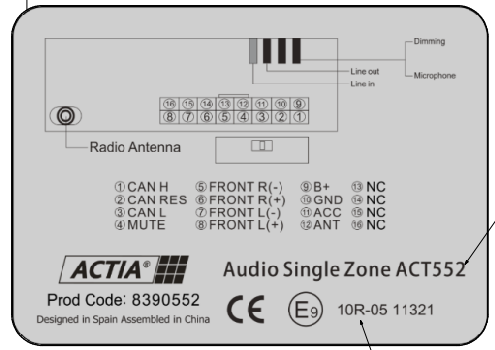
(6) DIN-ISO ANTENNA ADAPTER

(5) ISO A-B WIRING KIT

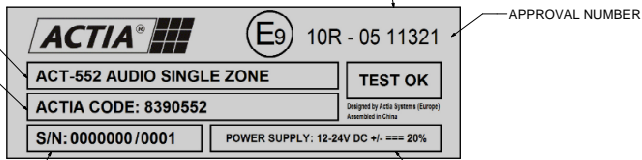
PACKAGE CONTENTS

1. ACT552 EQUIPMENT (Page 1).
2. MOUNTING BRACKET (Page 2).
3. FIXING SCREW, RUBBER, BOLTS AND WASHERS (Page 2).
4. REMOVAL TOOLS (Page 2).
5. ISO A-B WIRING KIT ACT552 (Page 1 & 2).
6. DIN-ISO ANTENNA ADAPTER (Page 1).
7. USER MANUAL.

CONNECTIONS LABEL

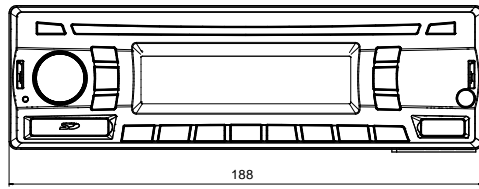


UNIT IDENTIFICATION LABEL

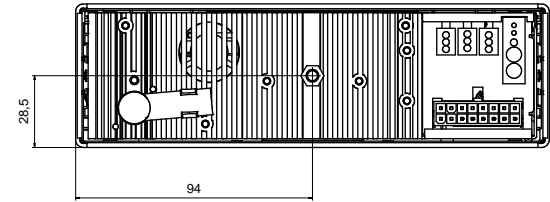
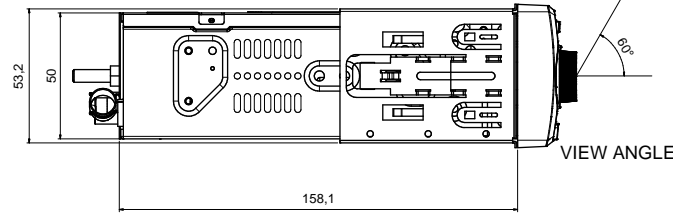


ACTIA INTERFACE DIAGRAM ACT552					DRAWING CODE:	EDITION:					
					471033	1.0					
MOVEX:	8390552	DRAW:	dávarez	MODIFIED:		REVISÉD:	jbañiñas	APPROVED:	japedrosa	MATERIAL:	
DEVICE:		TOL.GRAL.±	21/07/2016	SCALE:		MODIFICATIONS:					
ORIGINAL:	A2	MODIFICATION NUMBER:									

© ACTIA. Any reproduction of this document, even partial, is strictly forbidden without written authorization.

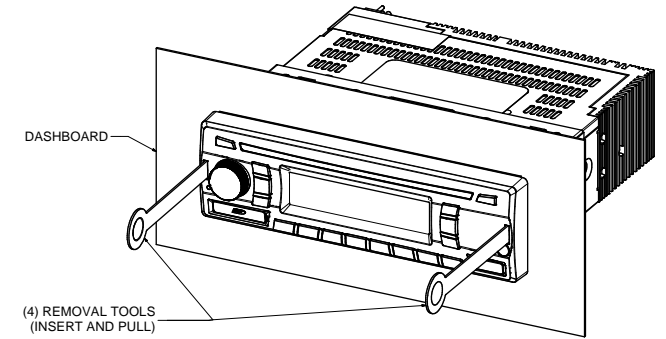
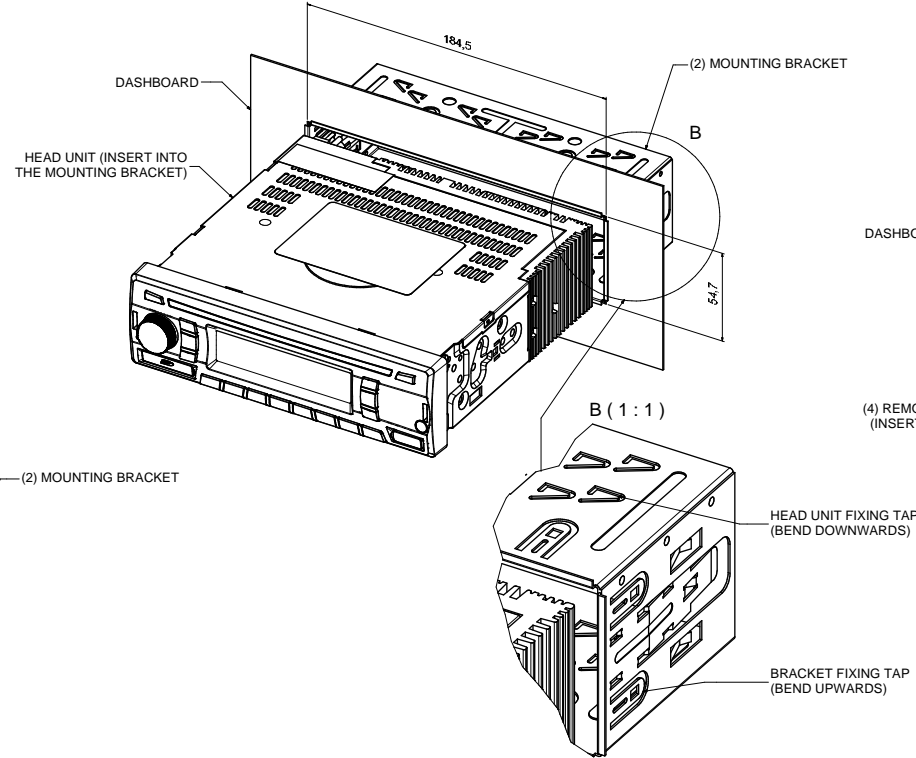
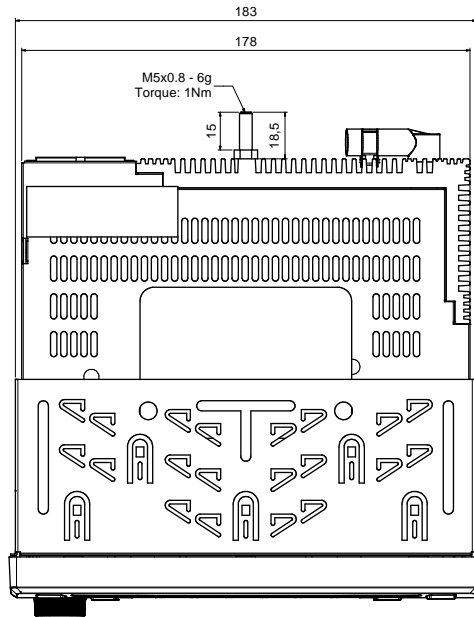


HEAD UNIT DIMENSIONS

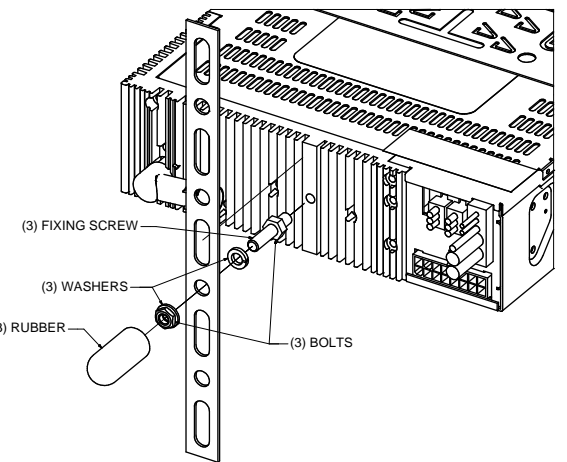


DASHBOARD HOLDER INSTALLATION

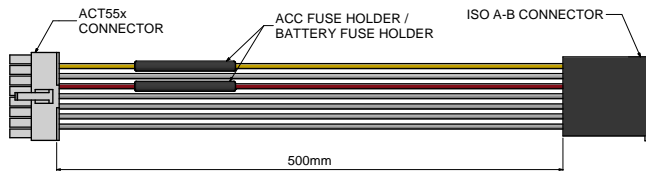
DASHBOARD UNIT REMOVAL



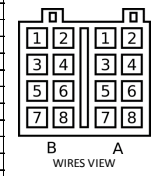
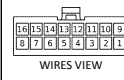
DASHBOARD FIXATION



ISO A-B WIRING KIT



ISO A-B WIRING KIT ACT552						
ACT55X CN2 HEADER CONNECTOR			ISO 10487 A-B CONNECTOR			
CONEXCON 6740 - 1160	SIGNAL	WIRE DIAMETER (mm)	TERMINAL PART No.	PIN No.	PIN No.	ISO 10487 A-B
	CAN H	0,5		1	NC	
	CAN R	0,5		2	NC	
	CAN L	0,5	CONEXCON 6744-2001	3	NC	
	MUTE	0,5		4	A2	
	FRONT SPEAKER R-	1,5		5	B4	
	FRONT SPEAKER R+	1,5		6	B3	
	FRONT SPEAKER L-	1,5		7	B5	
	FRONT SPEAKER L+	1,5		8	B6	
	BATTERY + (FUSED)	1,5	CONEXCON 6748-2001	9	A4	
	BATTERY -GND	1,5		10	A8	
	ACC (FUSED)	1,5		11	A7	
	ANTENNA 12V					
	POWER OUT	0,5	CONEXCON 6744-2001	12	A5	



ACTIA
MOV: 8390552
DEVICE: dávalvarez
TOL.GRAL:± ISO 2768-c
SCALE: 1 : 1.5 (1:1, 1:2)
ORIGINAL: A2
MODIFICATION NUMBER:

INTERFACE DIAGRAM ACT552					DRAWING CODE: 471033	EDITION: 1.0
DATE: 21/07/2016	MODIFIED: 05/08/2016	REVISED: 08/08/2016	APPROVED: japedrosa	MATERIAL:	FINISH:	