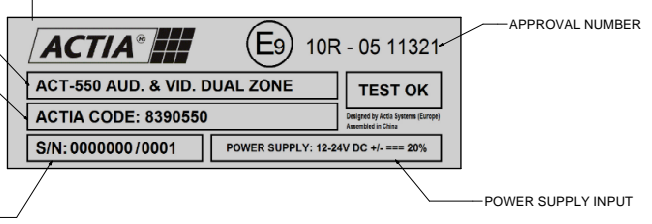
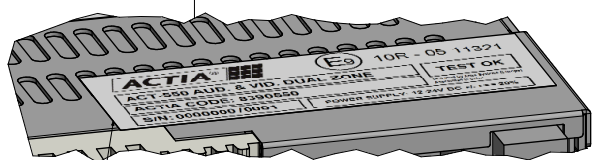
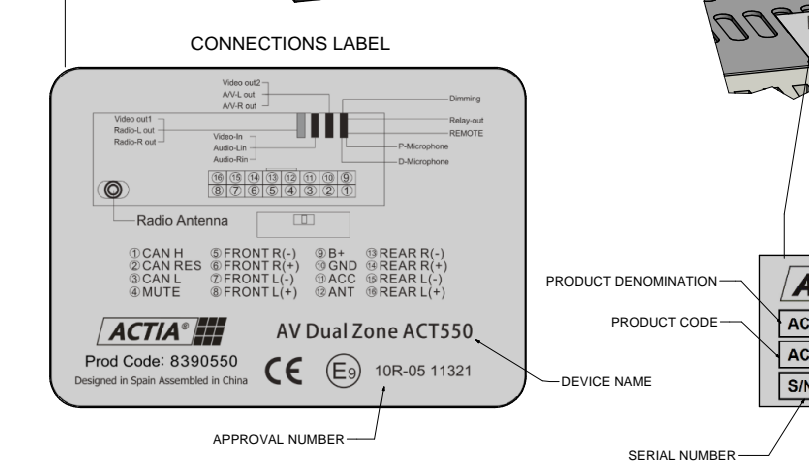
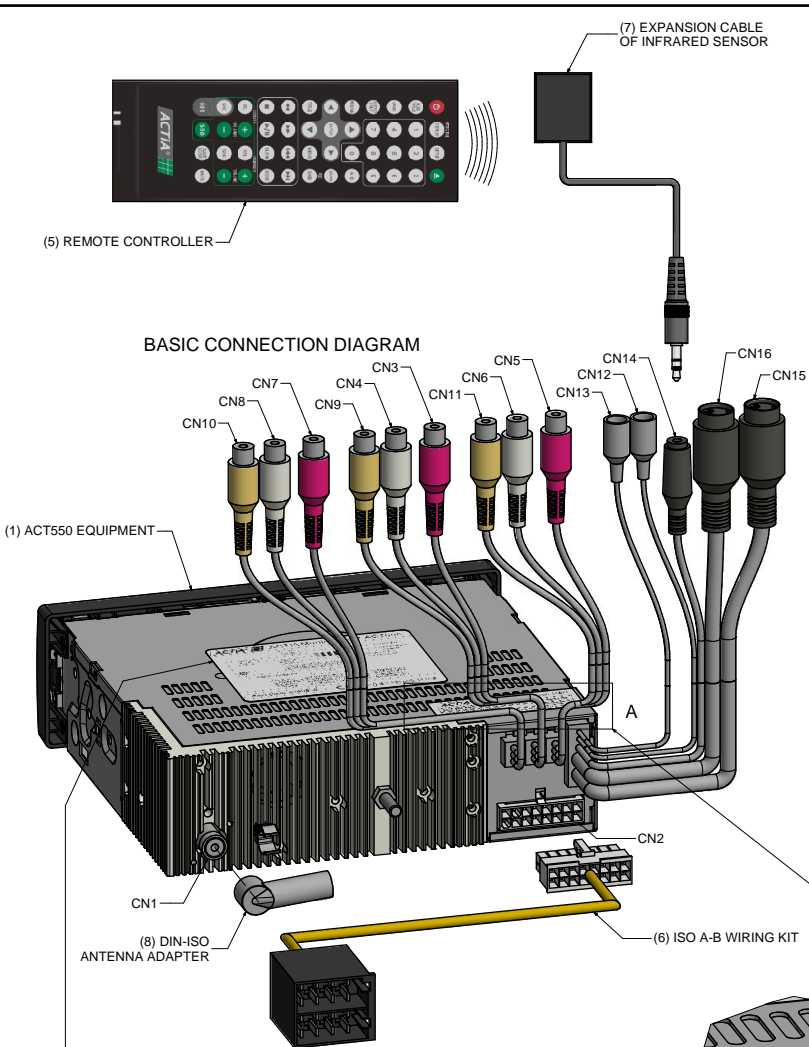


REAR CONNECTORS PINOUT					
No.	NAME	TYPE	DRAWING	PIN No.	SIGNAL
CN1	RADIO ANTENNA	DIN/ISO		1	RF-SIGNAL
				2	RF-GND
CN2	MAIN INTERFACE	CONEXCON 6746 - 2165		1	CAN H
				2	CAN R
				3	CAN L
				4	MUTE
				5	FRONT SPEAKER R-
				6	FRONT SPEAKER R+
				7	FRONT SPEAKER L-
				8	FRONT SPEAKER L+
				9	BATTERY+
				10	GND
				11	ACC
				12	ANTENNA POWER OUT
				13	REAR SPEAKER R-
				14	REAR SPEAKER R+
				15	REAR SPEAKER L-
				16	REAR SPEAKER L+
CN3	AUDIO R IN	RCA RED/WHITE (FEMALE)		1	AUDIO-SIGNAL
CN4	AUDIO L IN			2	AUDIO-GND
CN5	AUDIO R OUT				
CN6	AUDIO L OUT				
CN7	RADIO R OUT	RCA YELLOW (FEMALE)		1	CVBS-VIDEO-SIGNAL
CN8	RADIO L OUT			2	VIDEO-GND
CN9	VIDEO IN	FASTON CYLINDRICAL (FEMALE, Section 2.1mm)		1	RELAY POWER ACTIVATION
CN10	VIDEO OUT 1			2	24V INPUT
CN11	VIDEO OUT 2	STEREO JACK (FEMALE)		1	REMOTE-SIGNAL
CN12	RELAY OUT			2	REMOTE-SV
CN13	DIMMING			3	REMOTE-GND
CN14	REMOTE	DIN 5/180° (FEMALE)		1	MIC+
				2	SHIELD-GND
CN15	D-MICROPHONE			3	MIC-
				4	MIC-SWITCH-GND
				5	MIC-SWITCH-SV
CN16	P-MICROPHONE				

ELECTRICAL SPECIFICATIONS						
SYMBOL	PARAMETER	CONDITIONS	MIN	TYPICAL	MAX	UNITS
POWER SUPPLY INPUT						
VSS	DC supply voltage	-	11	24	30	V
ISS	DC supply load current	VSS=24V	-	-	10	A
ISS STBY	DC supply standby load current	ACC=0V	-	-	30	mA
ANTENNA POWER OUTPUT						
Vo	DC output voltage	-	11.8	12	12.3	V
Io	DC output current	-	-	-	300	mA
RELAY POWER OUTPUT						
Io	DC output current	VSS=24V, Output enabled	-	-	200	mA
USB POWER OUTPUT						
Vo	DC output voltage	-	-	5	-	V
Io	DC output current	-	-	-	1.2	A
MICROPHONE INPUT						
Vin	Input peak voltage	f=1kHz, Zo=600ohm	-	5.5	-	mVp
Zin	Input impedance	-	2	-	-	kohm
STEREO AUDIO INPUT (AUDIO LINE-IN)						
Vin	Input peak-to-peak voltage	f=1kHz, Zo=600ohm	-	-	3.3	Vpp
Zin	Input impedance	-	-	27	-	kohm
STEREO AUDIO OUTPUT (AUDIO LINE-OUT)						
Vo	Output rms voltage	f=1kHz, Zin=10Kohm	-	-	0.7	Vrms
Zo	Output impedance	-	-	-	600	ohm
RADIO STEREO AUDIO OUTPUT (RADIO LINE-OUT)						
Vo	Output rms voltage	f=1kHz, Zin=10Kohm	-	-	0.5	Vrms
Zo	Output impedance	-	-	-	600	ohm
SPEAKER OUTPUTS (POWER AUDIO OUTPUT)						
ZL	Speaker load	-	4	-	-	ohm
Po	Output RMS power	VSS=28V, f=1kHz, ZL=4ohm, THD=1%	-	15	-	W
		VSS=28V, f=1kHz, ZL=4ohm, THD=10%	-	20	-	W
		VSS=14V, f=1kHz, ZL=4ohm, THD=10%	-	10	-	W
XT	Crosstalk between channels	VSS=28V, f=1kHz, ZL=4ohm, THD=1%	60	-	-	dB
CVBS VIDEO OUTPUT						
Vo	Output peak-to-peak voltage	Zin=75ohm	-	-	1	Vpp
Zo	Output impedance	-	-	75	-	ohm
CVBS VIDEO INPUT						
Vin	Output peak-to-peak voltage	Zo=75ohm	0.8	-	1.2	Vpp
Zin	Output impedance	-	-	75	-	ohm
ACC AND DIMMING INPUTS						
VIH	High level input voltage	State=input active	10	-	32	V
VIL	Low level input voltage	State=input inactive	0	-	7.5	V
MUTE INPUT						
VIH	High level input voltage	State=input inactive	10	-	32	V
VIL	Low level input voltage	State=input active	0	-	0.6	V



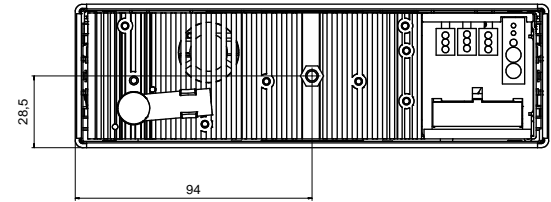
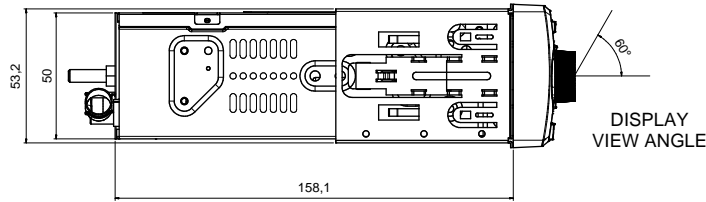
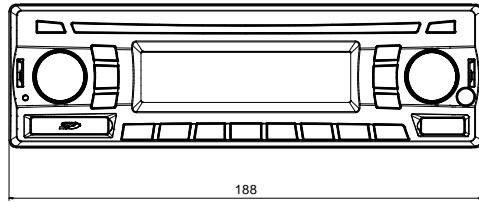
PACKAGE CONTENTS

1. ACT550 EQUIPMENT (Page 1).
2. MOUNTING BRACKET (Page 2).
3. FIXING SCREW, RUBBER, BOLTS AND WASHERS (Page 2).
4. REMOVAL TOOLS (Page 2).
5. REMOTE CONTROLLER (Page 1).
6. ISO A-B WIRING KIT (Page 1 & 2).
7. EXPANSION CABLE OF INFRARED SENSOR (Page 1 & 2).
8. DIN-ISO ANTENNA ADAPTER (Page 1).
9. USER MANUAL.

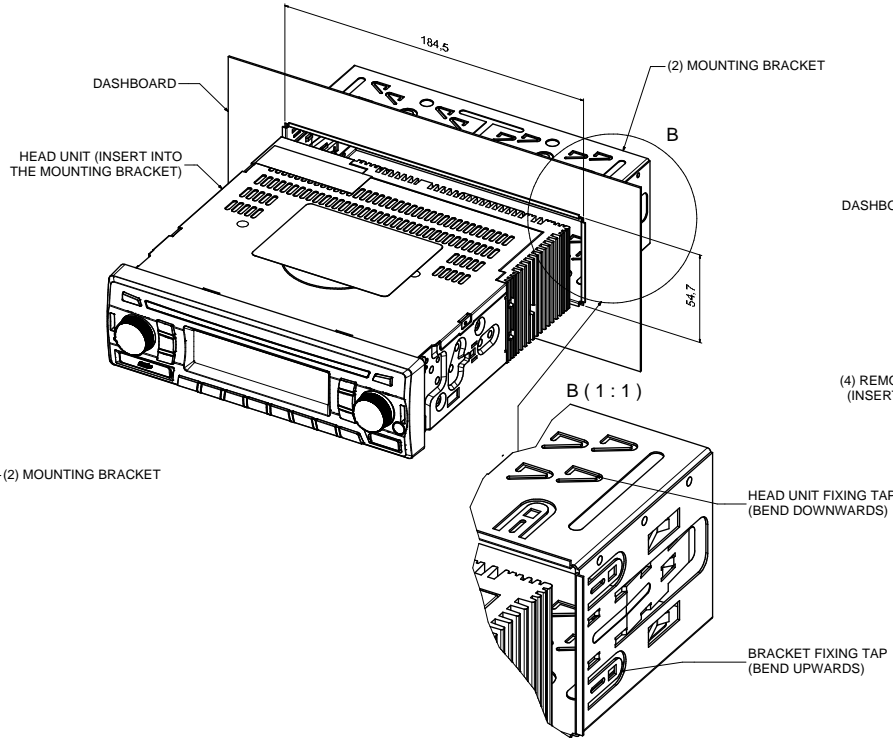
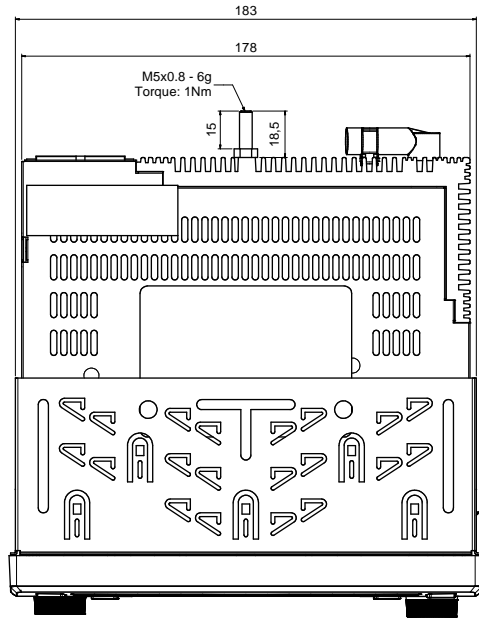
INTERFACE DIAGRAM ACT550					DRAWING CODE:	EDITION:	
					470950	1.0	
MOVEX:	8390550	DRAW:	afisa	MODIFIED:	jbalifias	APPROVED:	japedrosa
DEVICE:		TOL.GRAL±	18/02/2016	05/08/2016	08/08/2016	FINISH:	
SCALE:		ORIGINAL:	A2	MODIFICATIONS:			
MODIFICATION NUMBER:							

© ACTIA. Any reproduction of this document, even partial, is strictly forbidden without written authorisation.

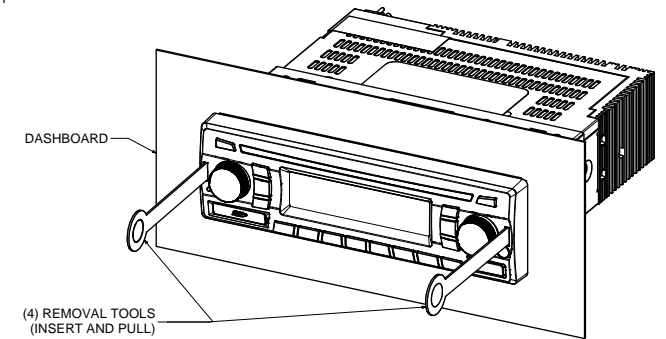
HEAD UNIT DIMENSIONS



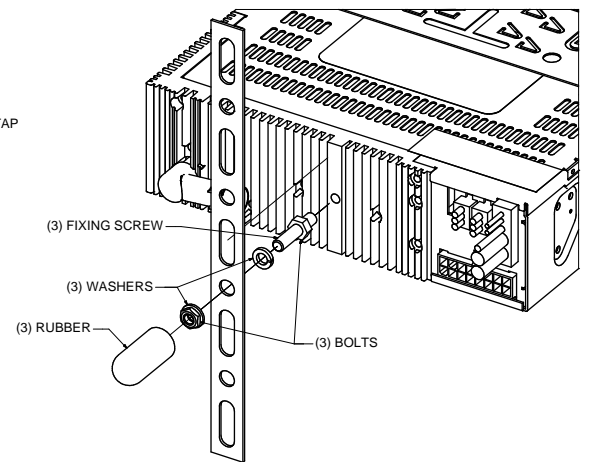
DASHBOARD HOLDER INSTALLATION



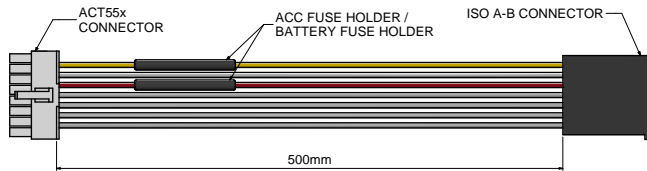
DASHBOARD UNIT REMOVAL



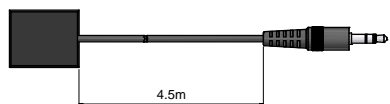
DASHBOARD FIXATION



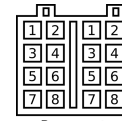
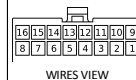
ISO A-B WIRING KIT



EXPANSION CABLE OF INFRARED SENSOR



ISO A-B WIRING KIT ACT550						
ACT55X CN2 HEADER CONNECTOR				ISO 10487 A-B CONNECTOR		
CONEXCON 6740 - 1160	SIGNAL	WIRE DIAMETER (mm)	TERMINAL PART No.	PIN No.	PIN No.	ISO 10487 A-B
	CAN H	0,5		1	NC	
	CAN R	0,5		2	NC	
	CAN L	0,5	CONEXCON 6744-2001	3	NC	
	MUTE	0,5		4	A2	
	FRONT SPEAKER R-	1,5		5	B4	
	FRONT SPEAKER R+	1,5		6	B3	
	FRONT SPEAKER L-	1,5		7	B5	
	FRONT SPEAKER L+	1,5	CONEXCON 6748-2001	8	B6	
	BATTERY + (FUSED)	1,5		9	A4	
	BATTERY-GND	1,5		10	A8	
	ACC (FUSED)	1,5		11	A7	
	ANTENNA 12V	0,5	CONEXCON 6744-2001	12	A5	
	POWER OUT					
	REAR SPEAKER R-	1,5		13	B2	
	REAR SPEAKER R+	1,5	CONEXCON 6748-2001	14	B1	
	REAR SPEAKER L-	1,5		15	B8	
	REAR SPEAKER L+	1,5		16	B7	



ACTIA		INTERFACE DIAGRAM ACT550				DRAWING CODE: 470950	EDITION: 1.0
MOVEX: 8390550	DRAW: afisa	MODIFIED: jballinas	REVISED: japedrosa	APPROVED: japedrosa	MATERIAL:		
DEVICE:					FINISH:		
TOL.GRAL:± ISO 2768-c	18/02/2016	05/08/2016	08/08/2016				
SCALE: 1:1.5 (1:2)							
ORIGINAL: A2	MODIFICATIONS:						
MODIFICATION NUMBER:							