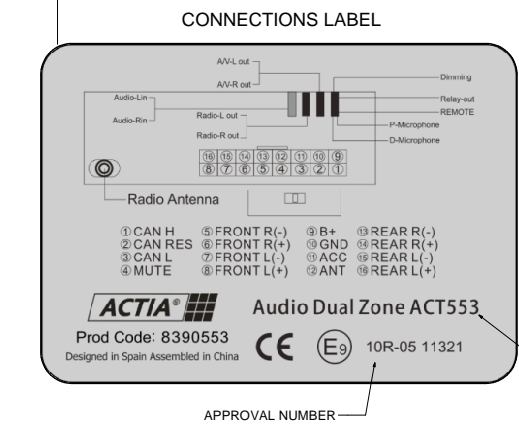


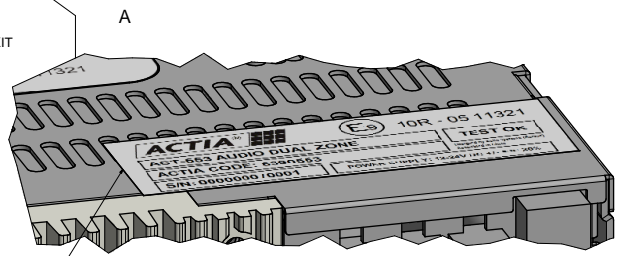
BASIC CONNECTION DIAGRAM



CONNECTIONS LABEL

REAR CONNECTORS PINOUT							
No.	NAME	TYPE	DRAWING	PIN No.	SIGNAL		
CN1	RADIO ANTENNA	DIN/ISO		1	RF-SIGNAL		
				2	RF-GND		
CN2	MAIN INTERFACE	CONEXCON 6746 - 2165		1	CAN H		
				2	CAN R		
				3	CAN L		
				4	MUTE		
				5	FRONT SPEAKER R-		
				6	FRONT SPEAKER R+		
				7	FRONT SPEAKER L-		
				8	FRONT SPEAKER L+		
				9	BATTERY+		
				10	GND		
				11	ACC		
				12	ANTENNA POWER OUT		
				13	REAR SPEAKER R-		
				14	REAR SPEAKER R+		
				15	REAR SPEAKER L-		
				16	REAR SPEAKER L+		
CN3	AUDIO R IN	RCA RED/WHITE (FEMALE)		1	AUDIO-SIGNAL		
CN4	AUDIO L IN						
CN5	AUDIO R OUT						
CN6	AUDIO L OUT						
CN7	RADIO R OUT						
CN8	RADIO L OUT						
CN13	DIMMING			FASTON CYLINDRICAL (FEMALE, Section 2.1mm)		1	24V INPUT
CN14	REMOTE			STEREO JACK (FEMALE)		1	REMOTE-SIGNAL
		2	REMOTE-5V				
		3	REMOTE-GND				
CN15	D-MICROPHONE	DIN 5/180P (FEMALE)		1	MIC+		
				2	SHIELD-GND		
CN16	P-MICROPHONE	DIN 5/180P (FEMALE)		3	MIC-		
				4	MIC-SWITCH-GND		
				5	MIC-SWITCH-5V		

ELECTRICAL SPECIFICATIONS						
SYMBOL	PARAMETER	CONDITIONS	MIN	TYPICAL	MAX	UNITS
POWER SUPPLY INPUT						
VSS	DC supply voltage	-	11	24	30	V
ISS	DC supply load current	VSS=24V	-	-	10	A
ISS STBY	DC supply standby load current	ACC=0V	-	-	30	mA
ANTENNA POWER OUTPUT						
Vo	DC output voltage	-	11.8	12	12.3	V
Io	DC output current	-	-	-	300	mA
USB POWER OUTPUT						
Vo	DC output voltage	-	-	5	-	V
Io	DC output current	-	-	-	1.2	A
MICROPHONE INPUT						
Vin	Input peak voltage	f=1kHz, Zo=600ohm	-	5.5	-	mVp
Zin	Input impedance	-	2	-	-	kohm
STEREO AUDIO INPUT (AUDIO LINE-IN)						
Vin	Input peak-to-peak voltage	f=1kHz, Zo=600ohm	-	-	3.3	Vpp
Zin	Input impedance	-	-	27	-	kohm
STEREO AUDIO OUTPUT (AUDIO LINE-OUT)						
Vo	Output rms voltage	f=1kHz, Zin=10Kohm	-	0.5	0.7	Vrms
Zo	Output impedance	-	-	-	600	ohm
RADIO STEREO AUDIO OUTPUT (RADIO LINE-OUT)						
Vo	Output rms voltage	f=1kHz, Zin=10Kohm	-	0.5	0.7	Vrms
Zo	Output impedance	-	-	-	600	ohm
SPEAKER OUTPUTS (POWER AUDIO OUTPUT)						
ZL	Speaker load	-	4	-	-	ohm
Po	Output RMS power	VSS=28V, f=1kHz, ZL=4ohm, THD=1%	-	15	-	W
		VSS=28V, f=1kHz, ZL=4ohm, THD=10%	-	20	-	W
		VSS=14V, f=1kHz, ZL=4ohm, THD=10%	-	10	-	W
XT	Crosstalk between channels	VSS=28V, f=1kHz, ZL=4ohm, THD=1%	60	-	-	dB
ACC AND DIMMING INPUTS						
VIH	High level input voltage	State=input active	10	-	32	V
VIL	Low level input voltage	State=input inactive	0	-	7.5	V
MUTE INPUT						
VIH	High level input voltage	State=input inactive	10	-	32	V
VIL	Low level input voltage	State=input active	0	-	0.6	V



UNIT IDENTIFICATION LABEL

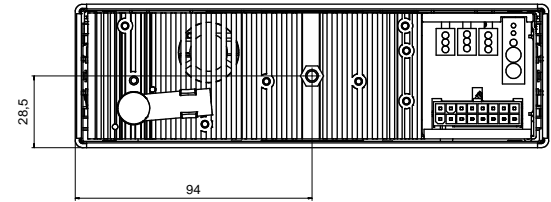
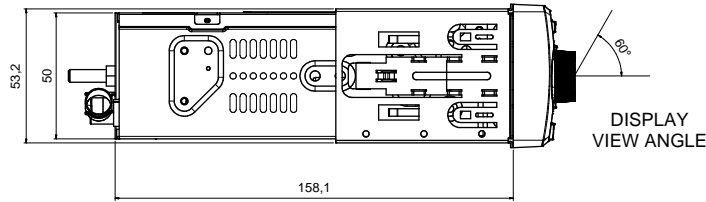
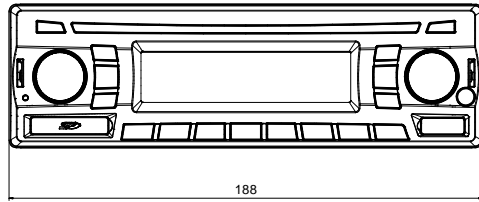
PACKAGE CONTENTS

1. ACT553 EQUIPMENT (Page 1).
2. MOUNTING BRACKET (Page 2).
3. FIXING SCREW, RUBBER, BOLTS AND WASHERS (Page 2).
4. REMOVAL TOOLS (Page 2).
5. REMOTE CONTROLLER (Page 1).
6. ISO A-B WIRING KIT (Page 1 & 2).
7. EXPANSION CABLE OF INFRARED SENSOR (Page 1 & 2).
8. DIN-ISO ANTENNA ADAPTER (Page 1).
9. USER MANUAL.

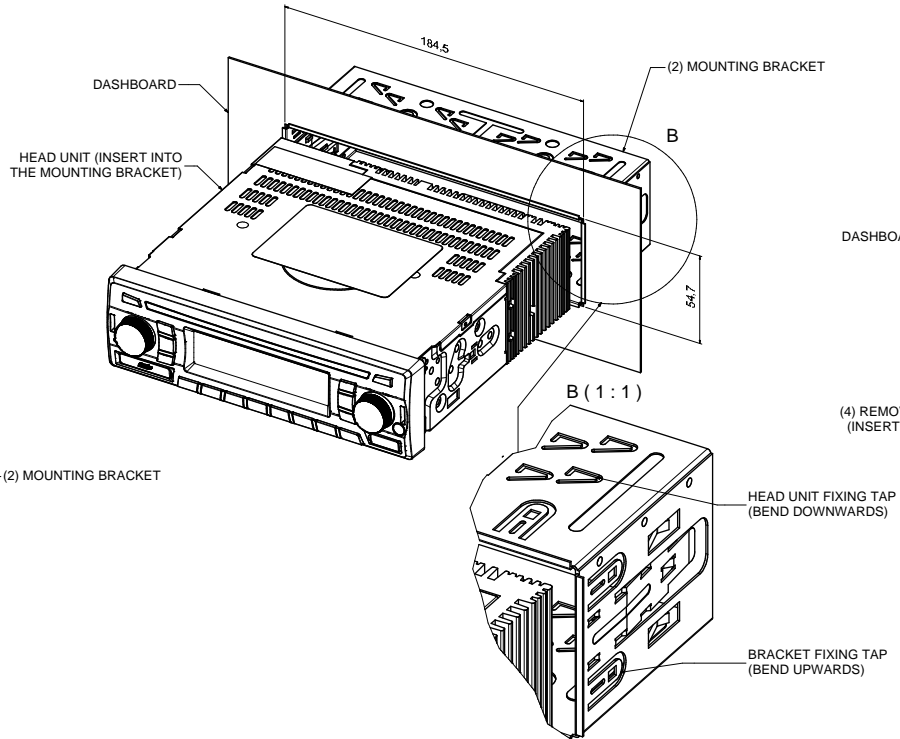
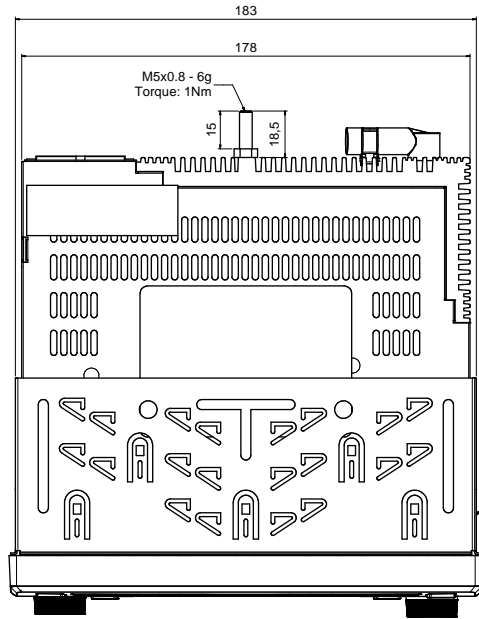
ACTIA INTERFACE DIAGRAM ACT553					DRAWING CODE:	EDITION:
					471038	1.0
MOVEX:	8390553	DRAW:	MODIFIED:	REVISED:	APPROVED:	MATERIAL:
DEVICE:		vmaestre		jbalinas	japedrosa	
TOL.GRAL.±		21/07/2016		05/08/2016	08/08/2016	FINISH:
SCALE:						
ORIGINAL: A2						
MODIFICATION NUMBER:						

© ACTIA. Any reproduction of this document, even partial, is strictly forbidden without written authorisation.

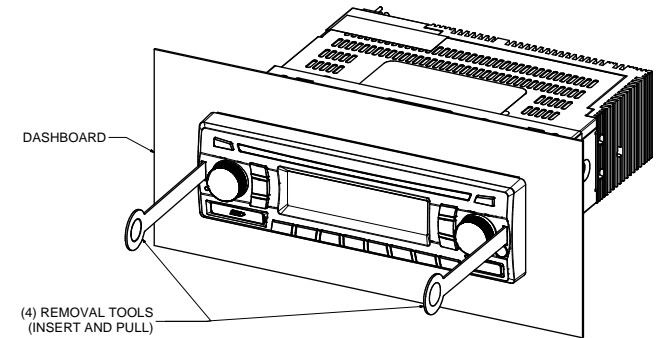
HEAD UNIT DIMENSIONS



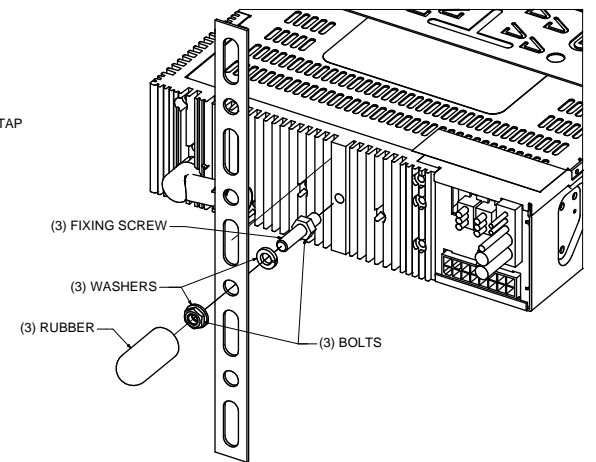
DASHBOARD HOLDER INSTALLATION



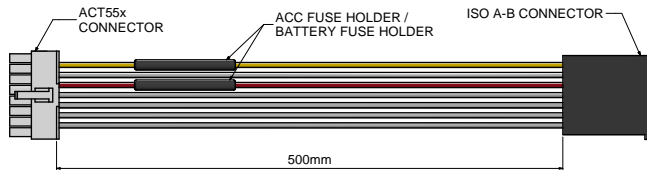
DASHBOARD UNIT REMOVAL



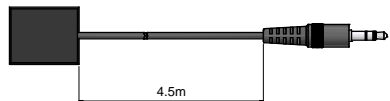
DASHBOARD FIXATION



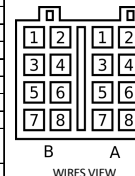
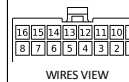
ISO A-B WIRING KIT



EXPANSION CABLE OF INFRARED SENSOR



ISO A-B WIRING KIT ACT553						
ACT55X CN2 HEADER CONNECTOR				ISO 10487 A-B CONNECTOR		
CONEXCON 6740 - 1160	SIGNAL	WIRE DIAMETER (mm)	TERMINAL PART No.	PIN No.	PIN No.	ISO 10487 A-B
	CAN H	0,5		1	NC	
	CAN R	0,5		2	NC	
	CAN L	0,5	CONEXCON 6744-2001	3	NC	
	MUTE	0,5		4	A2	
	FRONT SPEAKER R-	1,5		5	B4	
	FRONT SPEAKER R+	1,5		6	B3	
	FRONT SPEAKER L-	1,5		7	B5	
	FRONT SPEAKER L+	1,5		8	B6	
	BATTERY + (FUSED)	1,5	CONEXCON 6748-2001	9	A4	
	BATTERY-GND	1,5		10	A8	
	ACC (FUSED)	1,5		11	A7	
	ANTENNA 12V	0,5	CONEXCON 6744-2001	12	A5	
	POWER OUT					
	REAR SPEAKER R-	1,5		13	B2	
	REAR SPEAKER R+	1,5	CONEXCON 6748-2001	14	B1	
	REAR SPEAKER L-	1,5		15	B8	
	REAR SPEAKER L+	1,5		16	B7	



ACTIA		INTERFACE DIAGRAM ACT553				DRAWING CODE: 471038	EDITION: 1.0
MOVEX: 8390553	DRAW: vmaestre	MODIFIED:	REVISED: jbalinas	APPROVED: japedrosa	MATERIAL:		
DEVICE:					FINISH:		
TOL.GRAL: ± ISO 2768-c	21/07/2016		05/08/2016	08/08/2016			
SCALE: 1:1.5 (1:2)					MODIFICATIONS:		
ORIGINAL: A2							
MODIFICATION NUMBER:							

© ACTIA. Any reproduction of this document, even partial, is strictly forbidden without written authorization.